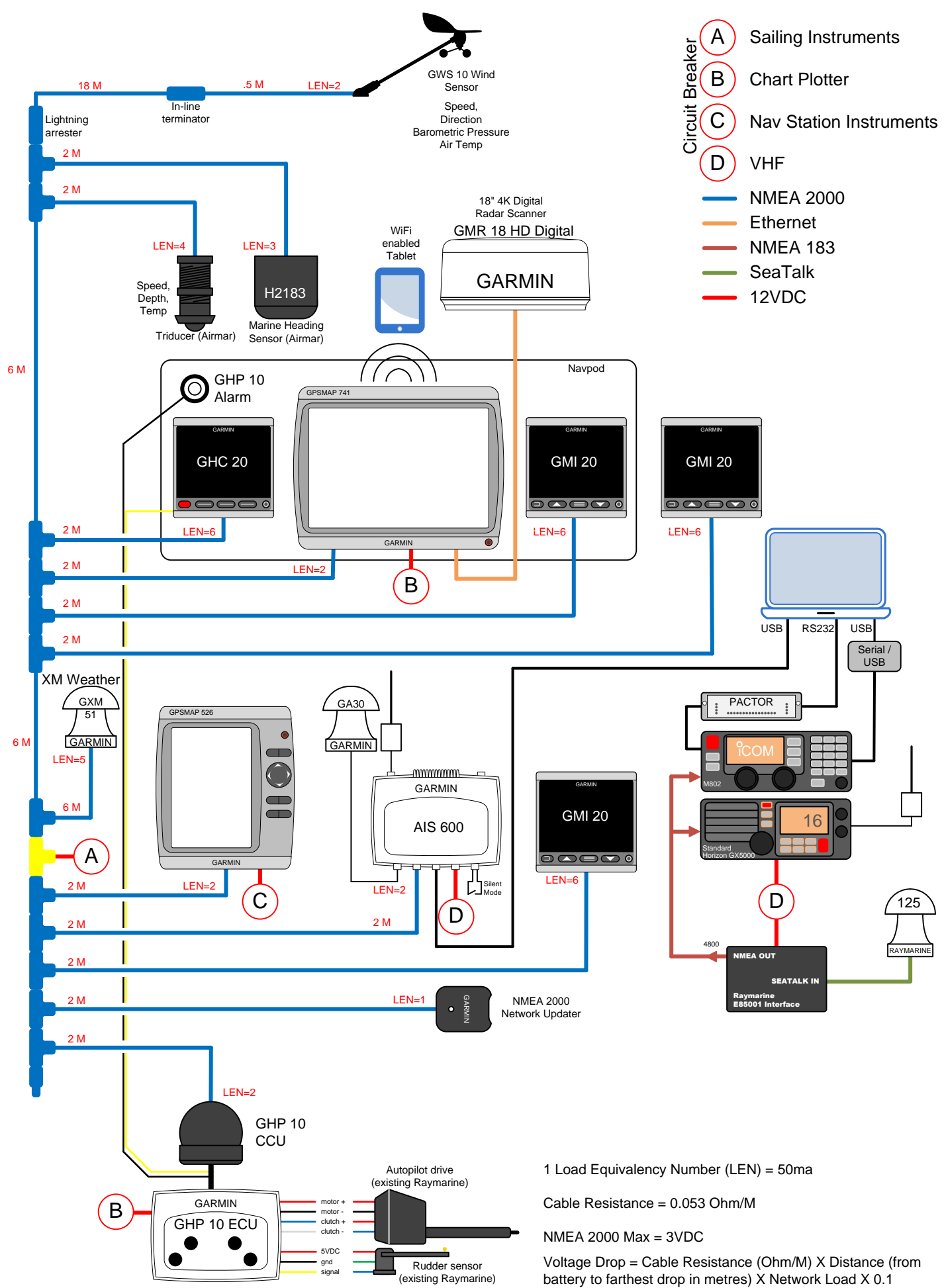


- Circuit Breaker**
- A** Sailing Instruments
 - B** Chart Plotter
 - C** Nav Station Instruments
 - D** VHF
- NMEA 2000
 - Ethernet
 - NMEA 183
 - SeaTalk
 - 12VDC



1 Load Equivalency Number (LEN) = 50ma

Cable Resistance = 0.053 Ohm/M

NMEA 2000 Max = 3VDC

Voltage Drop = Cable Resistance (Ohm/M) X Distance (from battery to farthest drop in metres) X Network Load X 0.1